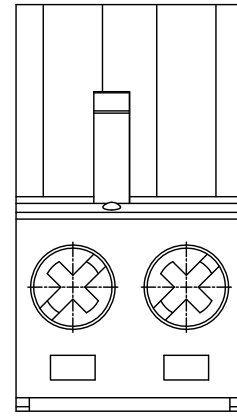
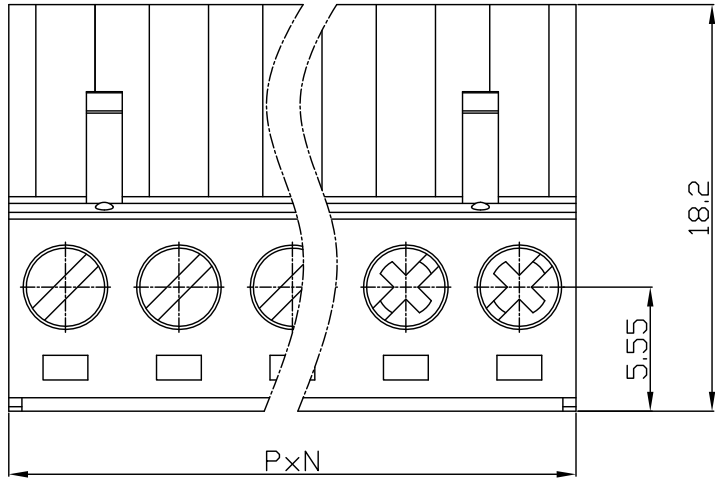


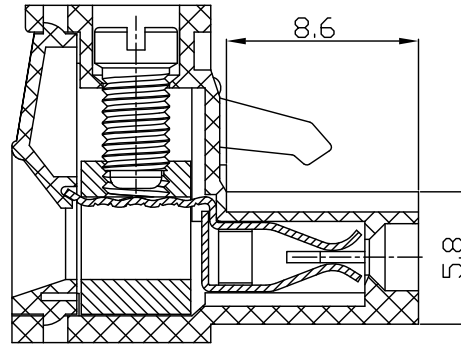
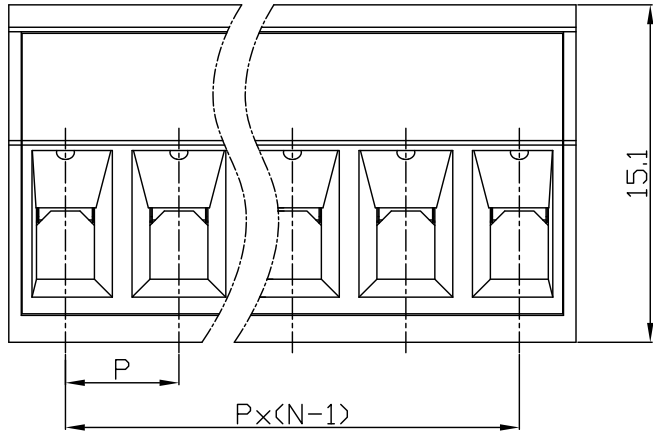
CUSTOMER COPY



REVISION DATA				
SYM	ECN	DESCRIPTION	DATE	APPROVED



2 CONTACTS



Technical Data

- Material:
  - Insulator: NY66, UL94V-0 RoHS
  - Contact clamp: phosphor bronze, nickel plated
  - Cage clamp: brass (CuZn), nickel plated
  - Screw: steel M3, galvanized plated
- Electrical:
  - Current rating: 15A
  - Voltage rating: 300V
  - Contact resistance:  $\leq 20m\Omega$
  - Insulation resistance:  $\geq 5000M\Omega$
  - Withstanding Voltage: 1600V AC/minute
- Mechanical:
  - Wire range: 24~12AWG
  - Screw torque: 5Lb-in
  - Wire strip length: 7-8mm
  - Operating temperature: -40°C to +105°C
  - Safely approval: file No.: E355923

Ordering information

PJC	XX	X	X	X	0	X	00
Number of contacts		Pitch	Screw & Clamp	Color	Body type	Mark	Serial No.
02~24 (pitch 5.0 / 5.08) 02~12 (pitch 10.0 / 10.16) (Solid block)	6 5.0 / .197" 7 5.08 / .20" H 10.0 / .394" I 10.16 / .40"	0 "-" / "+" Combination type w/ brass machined clamp 1 "-" Slot type w/ brass machined clamp	0 Black 3 Orange 5 Green 6 Blue 8 Grey (Underline is standard)	0 Without flange	0 No mark 1 natconn 2 Customer 3 Others	00 Standard 01~99 Any special item by customer request	

**natconn**® 深圳市纳特康电子有限公司  
SHENZHEN NATCONN ELECTRONIC CO.,LTD

TOLERANCE:	PROJECTION	TITLE:	PJC Terminal Block		
ANGLE $\pm 2^\circ$	DATE	2011/11/05			
X.XXX $\pm 0.01$	DRAWN	Sullen	CUSTOMER:	N/A	REV: N/A
X.XX $\pm 0.25$	CHECKED		CUSTOMER P/N:	N/A	REV: N/A
X.X $\pm 0.35$	APPROVED		PART NO.:		REV: A
X. $\pm 0.50$			DRAWING NO.:	PJCXXXXX0X00	
			SIZE:	A4	UNIT: mm
			SCALE:	4:1	SHEET: 1/1