

Pitch:2.54*2.54mm(0.1"*0.1")
 Box Header Straight Dip Type

BHAXX-XXA Series

Technical Data

Material:

Contact Material: Brass

Insulator Material:Black Polyester UL94V-0

Standard:PA6T+30%G.F

Electrical:

Current rating: 3Amps/contact max.

Contact resistance: $\leq 20\text{m}\Omega/\text{contact}$

Insulation resistance: $\geq 1000\text{M}\Omega$ at $V=100\text{V}$

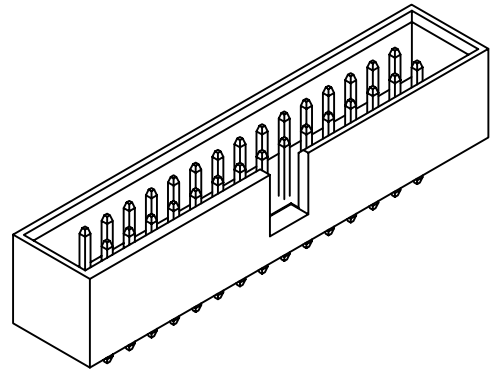
Withstanding Voltage:550V AC/minute

Mechanical:

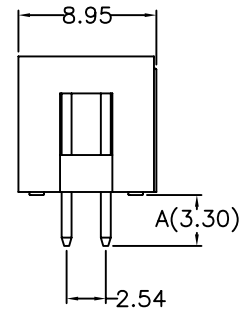
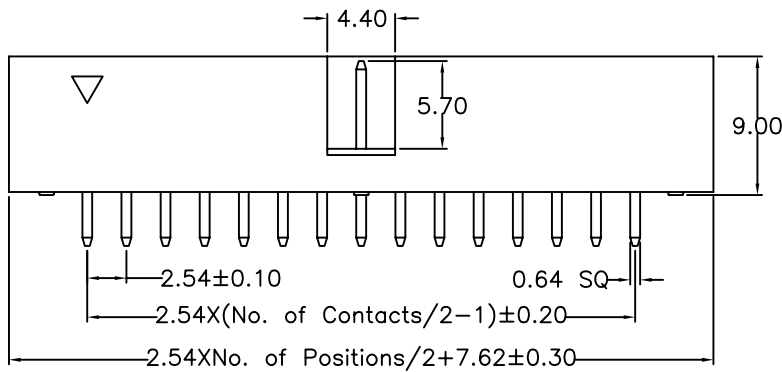
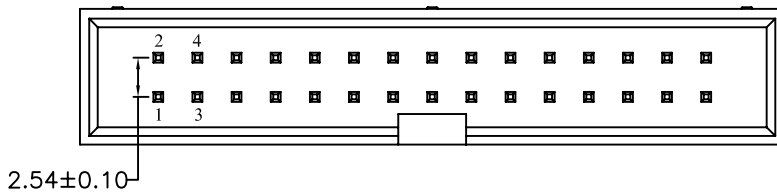
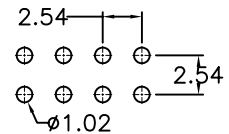
Operating temperatures: Gold Plated:-55°C~+105°C

Tin plated:-40°C~+105°C

Soldering temperature: +260°C,10s max.



Recommended
 P.C.B Board
 Hole Layout



BHA	XX	-	X	X	A	XX
No. of Positions 06~64		Plating Option A G/F B Au3μ" C Au5μ" D Au10μ" H GF/Sn120μ" S Sn120μ" Z Special		Insulator Material Option A BK-PBT C BK-PA6T D BK-PA46 F BK-LCP S Special		Serial No. 01~99